



TOSEVEN
同盛



**SUZHOU
TOSEVEN**
NEW ENERGY
TECHNOLOGY CO., LTD.

苏州同盛新能源科技有限公司



TOSEVEN
同盛

苏州同盛新能源科技有限公司

地址：苏州市吴中区天鹅荡路36号

电话：0512-6638 5874 6638 3154

0512-66380864-8001

传真：0512-6638 5434

Suzhou Toseven New Energy Technology Co.,Ltd.

Add: 36 Tianedang Road, Wuzhong District, Suzhou

Tel: 0512-6638 5874 6638 3154

0512-66380864-8001

Fax: 0512-6638 5434



COMPANY PROFILE

公司简介

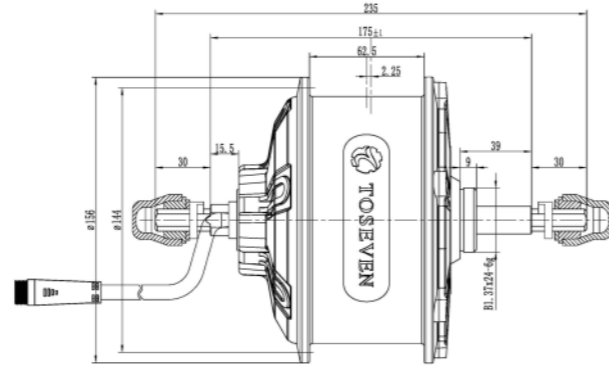
苏州同盛新能源科技有限公司是一家集研发、生产、销售、售后部门为一体的专业电动自行车电机厂家。我们的研发团队是由众多从业30多年的顶尖的技术专家组成。我们目前生产的电机产品涵盖了山地车、城市车、公路车、大功率胖胎车轮毂电机，大功率一体轮电机，大功率滑板车电机，铲车电机以及为客户专属定制的特殊用途电机等。

苏州同盛新能源科技有限公司秉承着“服务至上、品质第一”的宗旨，为客户提供完美的电机产品以及成熟体系的配套电控驱动系统；抱着求同存异，互利互惠的信条，积极投身于海内外的技术交流中，旨为客户提供最优最新的技术信息服务；我们会一直以诚信的态度、创新的精神与海内外的客户共赢发展。

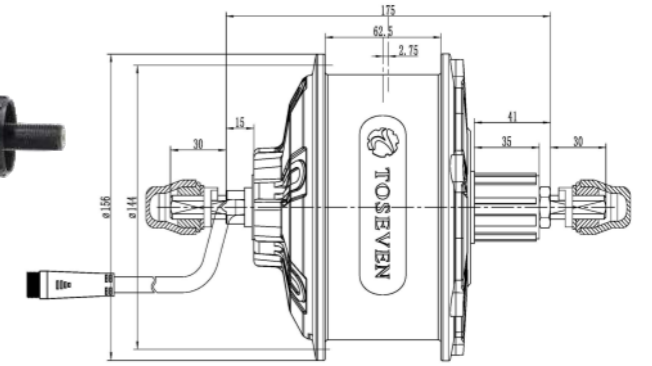
Suzhou Toseven New Energy Technology Co., Ltd. is a professional electric bicycle motor manufacturer that integrating R&D, production, sales and after-sales departments. Our R&D team is composed of many top technical experts who have been in the industry of E-bike motor for more than 30 years. Our current products cover mountain-bike motors, city-bike motors, road-bike motors, high-power fat tire wheel hub motors, high-power integrated wheel motors, high-power scooter motors, forklift motors, and special-purpose motors customized for customers.

Adhering to the tenet of "service first, quality first", Suzhou Toseven New Energy Technology Co., Ltd. provides customers with perfect motor products and mature electronic control drive systems; with the creed of "Seek common ground and reserve differences", we actively take part in home and abroad technical exhibitions to provide customers with the best and newest technical information services; we will always develop with customers with our honest attitude and innovative spirit.

D7-175X



D7-175K



参数信息

安装位置	Rear
出线方式	Left Side
外观颜色	black / silver
额定功率	350W ~ 1300W
额定电压	36V/48V/60V
轮径尺寸	16 ~ 29 "
开档尺寸	175mm
减 速 比	1:7.77
效 率	>80%
最大扭矩	>90N.m
刹车方式	disc Brake
飞轮数量	6/7/8
磁钢数量	16 Poles
测速磁钢	1/2/3/6
霍尔方式	With / Without
辐条规格	12G / 13G
辐条孔数	36 Holes
噪音等级	< 50dB
适用气温	-20℃~45℃
电机重量	3.8Kg
防水等级	IP54

Parameter Info.

Mounting Position	Rear
Cable Routing	Left Side
Shell Color	black / silver
Rated Power (W)	350W ~ 1300W
Rated Voltage (DCV)	36V/48V/60V
Wheel Size (Inch)	16 ~ 29 "
Fork Dropout (mm)	175mm
Speed Ratio	1:7.77
Efficiency (%)	>80%
Max Torque (N.m)	>90N.m
Brake Style	disc Brake
Freewheel	6/7/8
Magnet Rate	16 Poles
Speed Sensor	1/2/3/6
Hall Sensor	With / Without
Spokes Items	12G / 13G
Spokes Holes	36 Holes
Noise Level (dB)	< 50dB
Work Temperature	-20℃~45℃
Motor Weight	3.8Kg
Waterproof Level	IP54

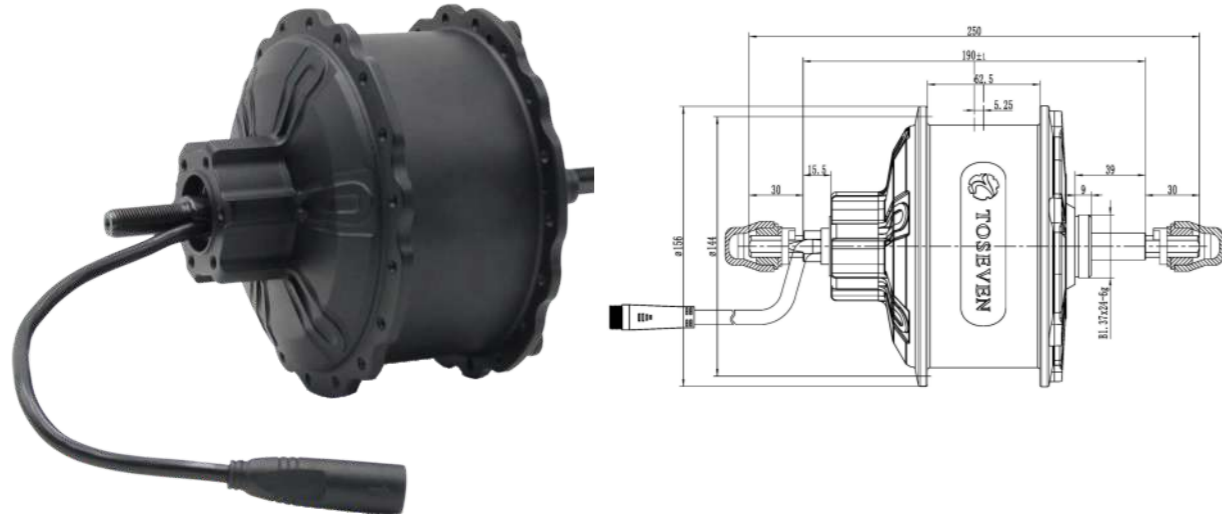
参数信息

安装位置	Rear
出线方式	Left Side
外观颜色	black / silver
额定功率	350W~ 1300W
额定电压	36V/48V/60V
轮径尺寸	16 ~ 29 "
开档尺寸	175mm
减 速 比	1:7.77
效 率	>80%
最大扭矩	>90N.m
刹车方式	disc Brake
飞轮数量	cassette 8~10
磁钢数量	16 Poles
测速磁钢	1/2/3/6
霍尔方式	With / Without
辐条规格	12G / 13G
辐条孔数	36 Holes
噪音等级	< 50dB
适用气温	-20℃~45℃
电机重量	3.8Kg
防水等级	IP54

Parameter Info.

Mounting Position	Rear
Cable Routing	Left Side
Shell Color	black / silver
Rated Power (W)	350W~ 1300W
Rated Voltage (DCV)	36V/48V/60V
Wheel Size (Inch)	16 ~ 29 "
Fork Dropout (mm)	175mm
Speed Ratio	1:7.77
Efficiency (%)	> 80%
Max Torque (N.m)	>90N.m
Brake Style	disc Brake
Freewheel	cassette 8~10
Magnet Rate	16 Poles
Speed Sensor	1/2/3/6
Hall Sensor	With / Without
Spokes Items	12G / 13G
Spokes Holes	36 Holes
Noise Level (dB)	< 50dB
Work Temperature	-20℃~45℃
Motor Weight	3.8Kg
Waterproof Level	IP54

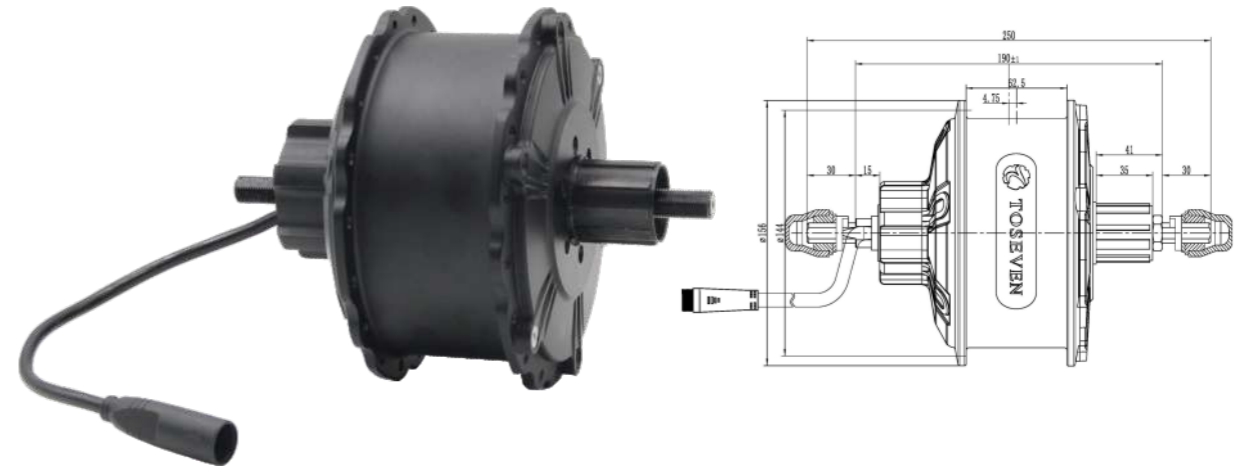
D7-190X



参数信息	
安装位置	Rear
出线方式	Left Side
外观颜色	black / silver
额定功率	350W ~ 1300W
额定电压	36V/48V/60V
轮径尺寸	16 ~ 29"
开档尺寸	195mm
减速比	1:7.77
效率	> 80%
最大扭矩	> 90N.m
刹车方式	disc Brake
飞轮数量	6/7/8
磁钢数量	16 Poles
测速磁钢	1/2/3/6
霍尔方式	With / Without
辐条规格	12G / 13G
辐条孔数	36 Holes
噪音等级	< 50dB
适用气温	-20℃~45℃
电机重量	3.9Kg
防水等级	IP54

Parameter Info.	
Mounting Position	Rear
Cable Routing	Left Side
Shell Color	black / silver
Rated Power (W)	350W ~ 1300W
Rated Voltage (DCV)	36V/48V/60V
Wheel Size (Inch)	16 ~ 29"
Fork Dropout (mm)	195mm
Speed Ratio	1:7.77
Efficiency (%)	> 80%
Max Torque (N.m)	> 90N.m
Brake Style	disc Brake
Freewheel	6/7/8
Magnet Rate	16 Poles
Speed Sensor	1/2/3/6
Hall Sensor	With / Without
Spokes Items	12G / 13G
Spokes Holes	36 Holes
Noise Level (dB)	< 50dB
Work Temperature	-20℃~45℃
Motor Weight	3.9Kg
Waterproof Level	IP54

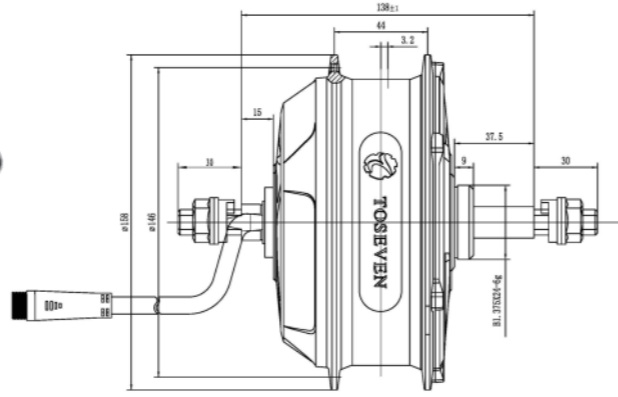
D7-190K



参数信息	
安装位置	Rear
出线方式	Left Side
外观颜色	black / silver
额定功率	350W~1300W
额定电压	36V/48V/60V
轮径尺寸	16 ~ 29"
开档尺寸	195mm
减速比	1:7.77
效率	> 80%
最大扭矩	> 90N.m
刹车方式	disc Brake
飞轮数量	cassette 8~10
磁钢数量	16 Poles
测速磁钢	1/2/3/6
霍尔方式	With / Without
辐条规格	12G / 13G
辐条孔数	36 Holes
噪音等级	< 50dB
适用气温	-20℃~45℃
电机重量	3.9Kg
防水等级	IP54

Parameter Info.	
Mounting Position	Rear
Cable Routing	Left Side
Shell Color	black / silver
Rated Power (W)	350W~1300W
Rated Voltage (DCV)	36V/48V/60V
Wheel Size (Inch)	16 ~ 29"
Fork Dropout (mm)	195mm
Speed Ratio	1:7.77
Efficiency (%)	> 80%
Max Torque (N.m)	> 90N.m
Brake Style	disc Brake
Freewheel	cassette 8~10
Magnet Rate	16 Poles
Speed Sensor	1/2/3/6
Hall Sensor	With / Without
Spokes Items	12G / 13G
Spokes Holes	36 Holes
Noise Level (dB)	< 50dB
Work Temperature	-20℃~45℃
Motor Weight	3.9Kg
Waterproof Level	IP54

B7-138X



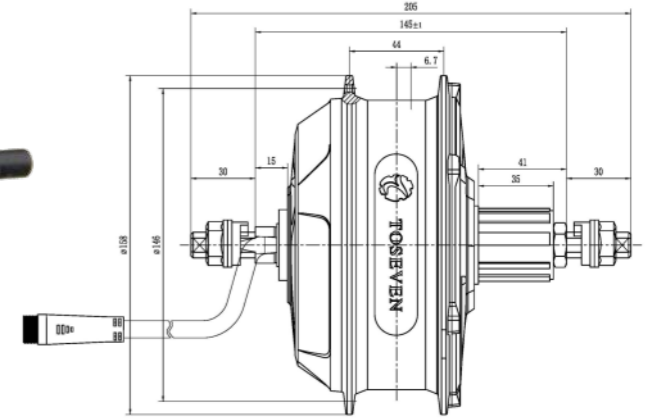
参数信息

安装位置	Rear
出线方式	Left Side
外观颜色	black / silver
额定功率	350W~750W
额定电压	36V/48V
轮径尺寸	16 ~ 29 "
开档尺寸	138mm
减速比	1:7.77
效率	> 80%
最大扭矩	> 80N.m
刹车方式	disc Brake
飞轮数量	6/7
磁钢数量	16 Poles
测速磁钢	1/2/3/6
霍尔方式	With / Without
辐条规格	12G / 13G
辐条孔数	36 Holes
噪音等级	< 50dB
适用气温	-20℃~45℃
电机重量	3.5Kg
防水等级	IP54

Parameter Info.

Mounting Position	Rear
Cable Routing	Left Side
Shell Color	black / silver
Rated Power (W)	350W~750W
Rated Voltage (DCV)	36V/48V
Wheel Size (Inch)	16 ~ 29 "
Fork Dropout (mm)	138mm
Speed Ratio	1:7.77
Efficiency (%)	> 80%
Max Torque (N.m)	> 80N.m
Brake Style	disc Brake
Freewheel	6/7
Magnet Rate	16 Poles
Speed Sensor	1/2/3/6
Hall Sensor	With / Without
Spokes Items	12G / 13G
Spokes Holes	36 Holes
Noise Level (dB)	< 50dB
Work Temperature	-20℃~45℃
Motor Weight	3.5Kg
Waterproof Level	IP54

B7-145K



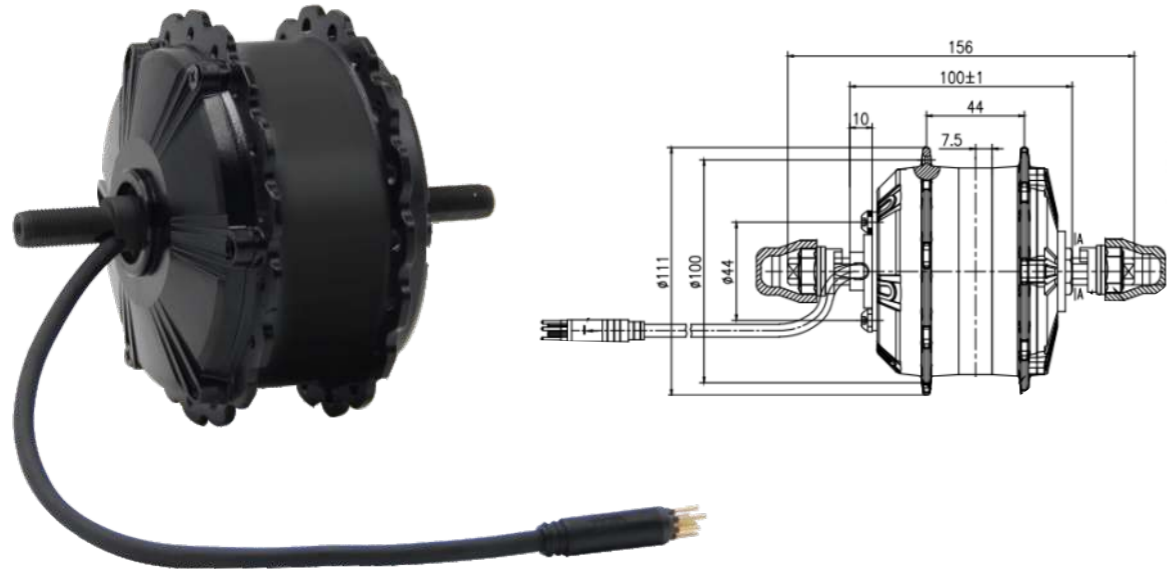
参数信息

安装位置	Rear
出线方式	Left Side
外观颜色	black / silver
额定功率	350W~750W
额定电压	36V/48V
轮径尺寸	16 ~ 29 "
开档尺寸	145mm
减速比	1:7.77
效率	> 80%
最大扭矩	> 80N.m
刹车方式	disc Brake
飞轮数量	cassette 8 ~ 10
磁钢数量	16 Poles
测速磁钢	1/2/3/6
霍尔方式	With / Without
辐条规格	12G / 13G
辐条孔数	36 Holes
噪音等级	< 50dB
适用气温	-20℃~45℃
电机重量	3.5Kg
防水等级	IP54

Parameter Info.

Mounting Position	Rear
Cable Routing	Left Side
Shell Color	black / silver
Rated Power (W)	350W~750W
Rated Voltage (DCV)	36V/48V
Wheel Size (Inch)	16 ~ 29 "
Fork Dropout (mm)	145mm
Speed Ratio	1:7.77
Efficiency (%)	> 80%
Max Torque (N.m)	> 80N.m
Brake Style	disc Brake
Freewheel	cassette 8 ~ 10
Magnet Rate	16 Poles
Speed Sensor	1/2/3/6
Hall Sensor	With / Without
Spokes Items	12G / 13G
Spokes Holes	36 Holes
Noise Level (dB)	< 50dB
Work Temperature	-20℃~45℃
Motor Weight	3.5Kg
Waterproof Level	IP54

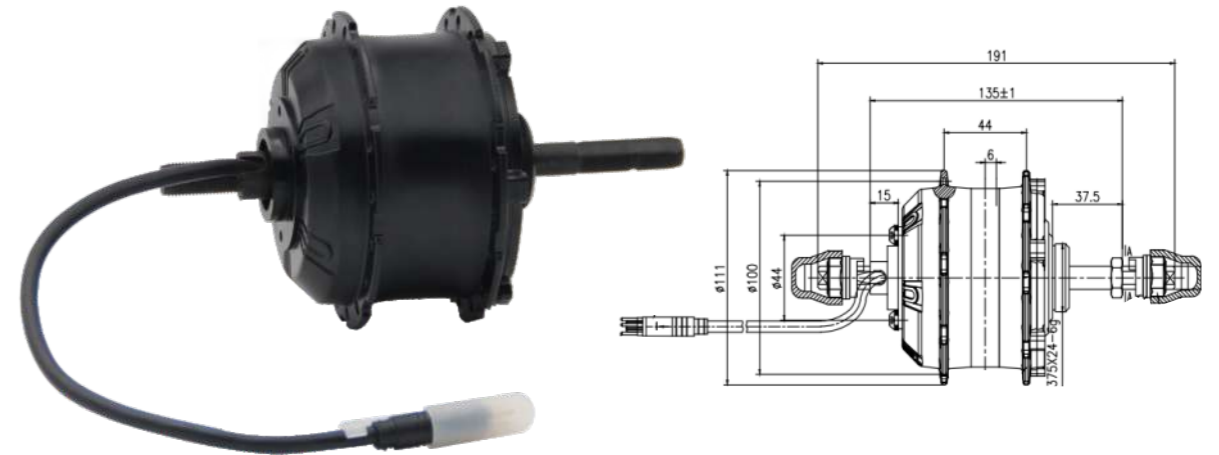
A7-100Q



参数信息	
安装位置	Front
出线方式	Left Side
外观颜色	black / silver
额定功率	250W~300W
额定电压	24V/ 36V/ 48V
轮径尺寸	12 ~ 26 "
开档尺寸	100mm
减 速 比	1:5.87
效 率	> 80%
最大扭矩	> 40N.m
刹车方式	disc Brake
飞轮数量	/
磁钢数量	16 Poles
测速磁钢	1/2/3/6
霍尔方式	With / Without
辐条规格	12G / 13G
辐条孔数	36 Holes
噪音等级	< 50dB
适用气温	-20℃~45℃
电机重量	1.8 Kg
防水等级	IP54

Parameter Info.	
Mounting Position	Front
Cable Routing	Left Side
Shell Color	black / silver
Rated Power (W)	250W~300W
Rated Voltage (DCV)	24V/ 36V/ 48V
Wheel Size (Inch)	12 ~ 26 "
Fork Dropout (mm)	100mm
Speed Ratio	1:5.87
Efficiency (%)	> 80%
Max Torque (N.m)	> 40N.m
Brake Style	disc Brake
Freewheel	/
Magnet Rate	16 Poles
Speed Sensor	1/2/3/6
Hall Sensor	With / Without
Spokes Items	12G / 13G
Spokes Holes	36 Holes
Noise Level (dB)	< 50dB
Work Temperature	-20℃~45℃
Motor Weight	1.8 Kg
Waterproof Level	IP54

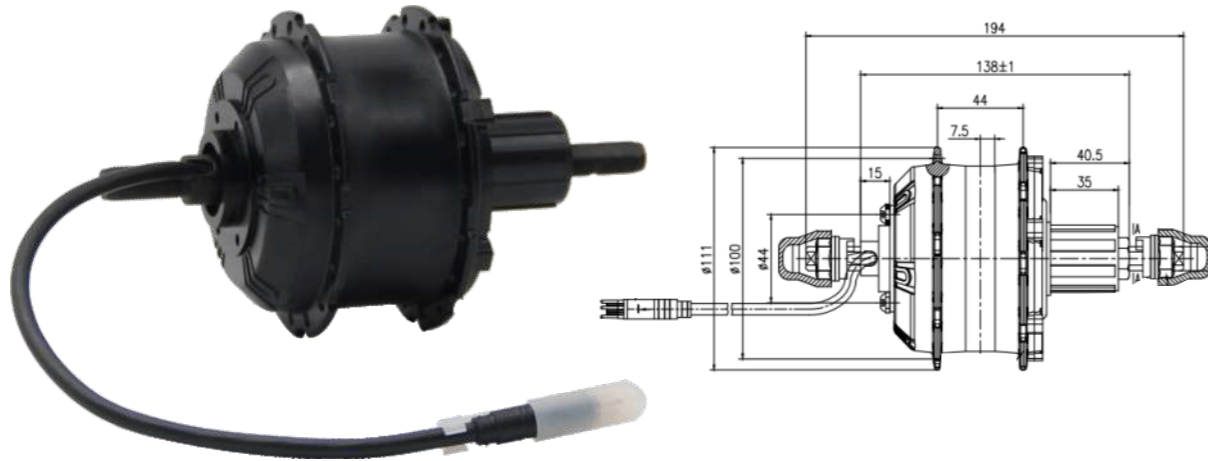
A7-135X



参数信息	
安装位置	Rear
出线方式	Left Side
外观颜色	black / silver
额定功率	250W~300W
额定电压	24V/ 36V/ 48V
轮径尺寸	12 ~ 26 "
开档尺寸	135mm
减 速 比	1:5.87
效 率	> 80%
最大扭矩	> 40N.m
刹车方式	disc Brake
飞轮数量	6/7
磁钢数量	16 Poles
测速磁钢	1/2/3/6
霍尔方式	With / Without
辐条规格	12G / 13G
辐条孔数	36 Holes
噪音等级	< 50dB
适用气温	-20℃~45℃
电机重量	1.8 Kg
防水等级	IP54

Parameter Info.	
Mounting Position	Rear
Cable Routing	Left Side
Shell Color	black / silver
Rated Power (W)	250W~300W
Rated Voltage (DCV)	24V/ 36V/ 48V
Wheel Size (Inch)	12 ~ 26 "
Fork Dropout (mm)	135mm
Speed Ratio	1:5.87
Efficiency (%)	> 80%
Max Torque (N.m)	> 40N.m
Brake Style	disc Brake
Freewheel	6/7
Magnet Rate	16 Poles
Speed Sensor	1/2/3/6
Hall Sensor	With / Without
Spokes Items	12G / 13G
Spokes Holes	36 Holes
Noise Level (dB)	< 50dB
Work Temperature	-20℃~45℃
Motor Weight	1.8 Kg
Waterproof Level	IP54

A7-138K



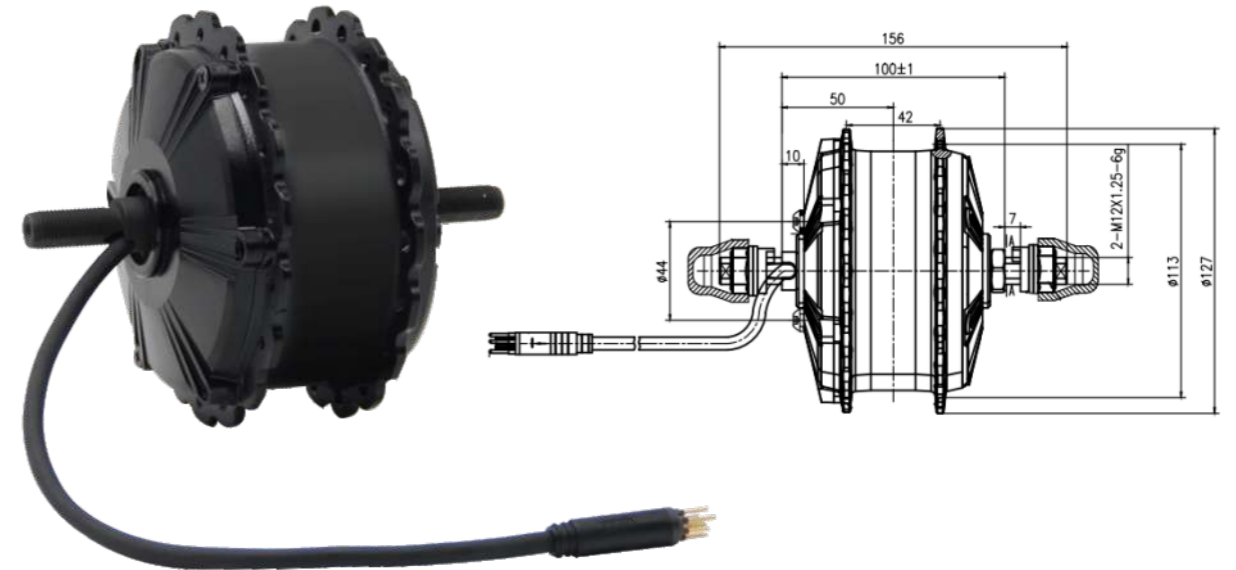
参数信息

安装位置	Rear
出线方式	Left Side
外观颜色	black / silver
额定功率	250W~300W
额定电压	24V/ 36V/ 48V
轮径尺寸	12 ~26 "
开档尺寸	138mm
减 速 比	1:5.87
效 率	> 80%
最大扭矩	> 40N.m
刹车方式	disc Brake
飞轮数量	cassette 8~10
磁钢数量	16 Poles
测速磁钢	1/2/3/6
霍尔方式	With / Without
辐条规格	12G / 13G
辐条孔数	36 Holes
噪音等级	< 50dB
适用气温	-20℃~45℃
电机重量	1.8 Kg
防水等级	IP54

Parameter Info.

Mounting Position	Rear
Cable Routing	Left Side
Shell Color	black / silver
Rated Power (W)	250W~300W
Rated Voltage (DCV)	24V/ 36V/ 48V
Wheel Size (Inch)	12 ~26 "
Fork Dropout (mm)	138mm
Speed Ratio	1:5.87
Efficiency (%)	> 80%
Max Torque (N.m)	> 40N.m
Brake Style	disc Brake
Freewheel	cassette 8~10
Magnet Rate	16 Poles
Speed Sensor	1/2/3/6
Hall Sensor	With / Without
Spokes Items	12G / 13G
Spokes Holes	36 Holes
Noise Level (dB)	< 50dB
Work Temperature	-20℃~45℃
Motor Weight	1.8 Kg
Waterproof Level	IP54

K7-100Q



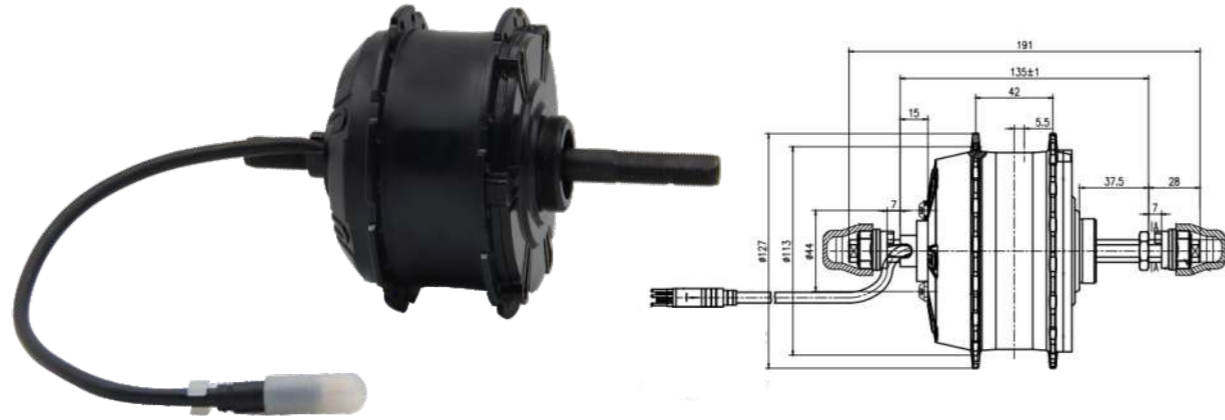
参数信息

安装位置	Front
出线方式	Left Side
外观颜色	black / silver
额定功率	250W~350W
额定电压	24V/ 36V/ 48V
轮径尺寸	12 ~29 "
开档尺寸	100mm
减 速 比	1:8.14
效 率	> 80%
最大扭矩	> 45N.m
刹车方式	disc Brake
飞轮数量	/
磁钢数量	16 Poles
测速磁钢	1/2/3/6
霍尔方式	With / Without
辐条规格	12G / 13G
辐条孔数	36 Holes
噪音等级	< 50dB
适用气温	-20℃~45℃
电机重量	2.0 Kg
防水等级	IP54

Parameter Info.

Mounting Position	Front
Cable Routing	Left Side
Shell Color	black / silver
Rated Power (W)	250W~350W
Rated Voltage (DCV)	24V/ 36V/ 48V
Wheel Size (Inch)	12 ~29 "
Fork Dropout (mm)	100mm
Speed Ratio	1:8.14
Efficiency (%)	> 80%
Max Torque (N.m)	> 45N.m
Brake Style	disc Brake
Freewheel	/
Magnet Rate	16 Poles
Speed Sensor	1/2/3/6
Hall Sensor	With / Without
Spokes Items	12G / 13G
Spokes Holes	36 Holes
Noise Level (dB)	< 50dB
Work Temperature	-20℃~45℃
Motor Weight	2.0 Kg
Waterproof Level	IP54

K7-135X



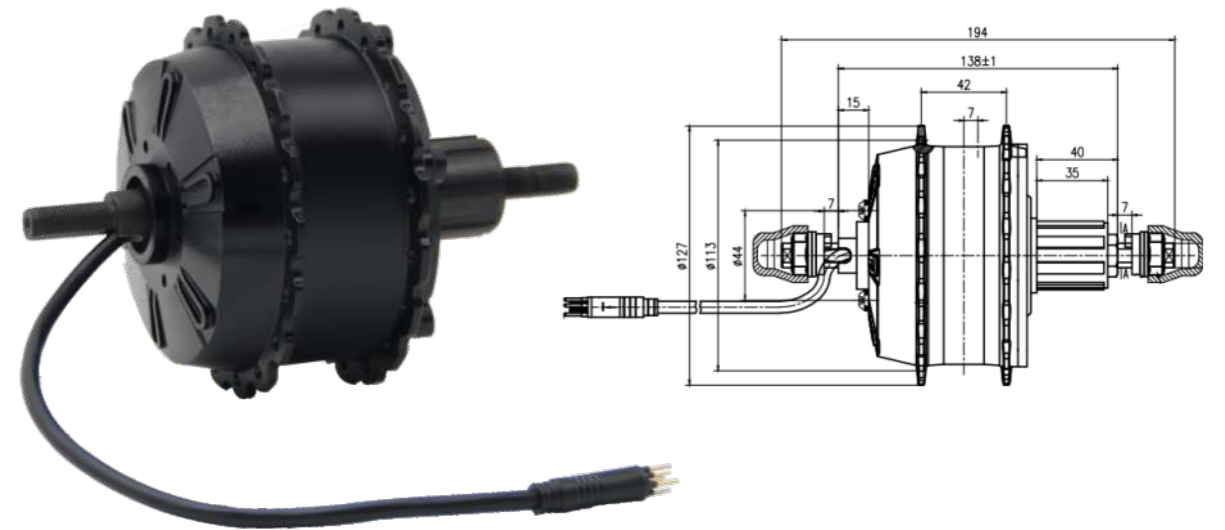
参数信息

安装位置	Rear
出线方式	Left Side
外观颜色	black / silver
额定功率	250W~350W
额定电压	24V/ 36V/ 48V
轮径尺寸	12 ~29 "
开档尺寸	135mm
减 速 比	1:8.14
效 率	> 80%
最大扭矩	> 45N.m
刹车方式	disc Brake
飞轮数量	6/7
磁钢数量	16 Poles
测速磁钢	1/2/3/6
霍尔方式	With / Without
辐条规格	12G / 13G
辐条孔数	36 Holes
噪音等级	< 50dB
适用气温	-20℃~45℃
电机重量	2.0 Kg
防水等级	IP54

Parameter Info.

Mounting Position	Rear
Cable Routing	Left Side
Shell Color	black / silver
Rated Power (W)	250W~350W
Rated Voltage (DCV)	24V/ 36V/ 48V
Wheel Size (Inch)	12 ~29 "
Fork Dropout (mm)	135mm
Speed Ratio	1:8.14
Efficiency (%)	> 80%
Max Torque (N.m)	> 45N.m
Brake Style	disc Brake
Freewheel	6/7
Magnet Rate	16 Poles
Speed Sensor	1/2/3/6
Hall Sensor	With / Without
Spokes Items	12G / 13G
Spokes Holes	36 Holes
Noise Level (dB)	< 50dB
Work Temperature	-20℃~45℃
Motor Weight	2.0 Kg
Waterproof Level	IP54

K7-138K



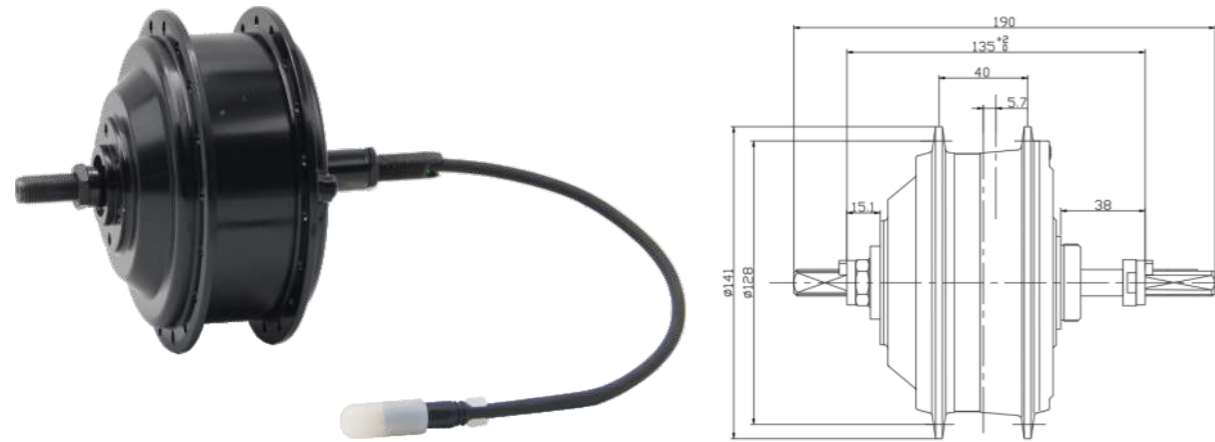
参数信息

安装位置	Rear
出线方式	Left Side
外观颜色	black / silver
额定功率	250W~350W
额定电压	24V/ 36V/ 48V
轮径尺寸	12 ~29 "
开档尺寸	138mm
减 速 比	1:8.14
效 率	> 80%
最大扭矩	> 45N.m
刹车方式	disc Brake
飞轮数量	cassette 8~10
磁钢数量	16 Poles
测速磁钢	1/2/3/6
霍尔方式	With / Without
辐条规格	12G / 13G
辐条孔数	36 Holes
噪音等级	< 50dB
适用气温	-20℃~45℃
电机重量	2.0 Kg
防水等级	IP54

Parameter Info.

Mounting Position	Rear
Cable Routing	Left Side
Shell Color	black / silver
Rated Power (W)	250W~350W
Rated Voltage (DCV)	24V/ 36V/ 48V
Wheel Size (Inch)	12 ~29 "
Fork Dropout (mm)	138mm
Speed Ratio	1:8.14
Efficiency (%)	> 80%
Max Torque (N.m)	> 45N.m
Brake Style	disc Brake
Freewheel	cassette 8~10
Magnet Rate	16 Poles
Speed Sensor	1/2/3/6
Hall Sensor	With / Without
Spokes Items	12G / 13G
Spokes Holes	36 Holes
Noise Level (dB)	< 50dB
Work Temperature	-20℃~45℃
Motor Weight	2.0 Kg
Waterproof Level	IP54

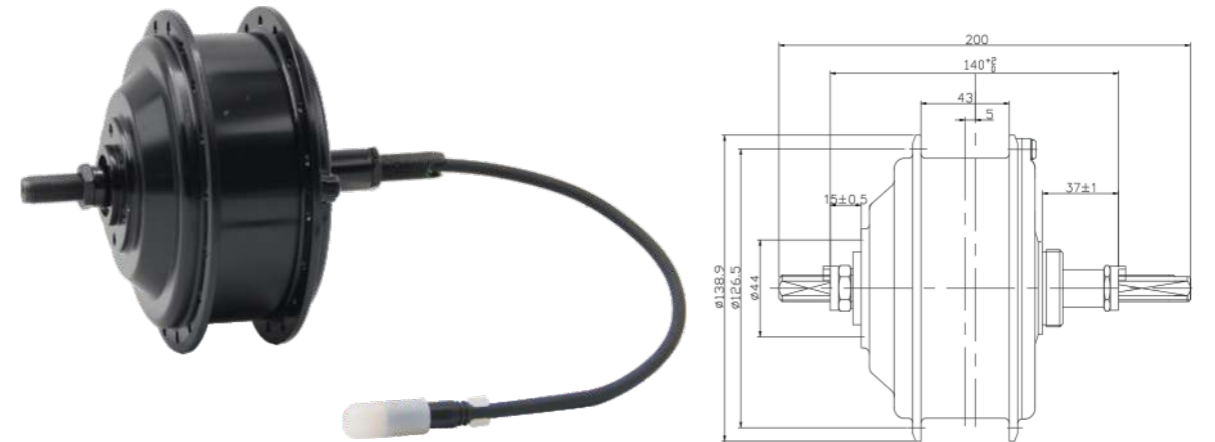
H7-135X



参数信息	
安装位置	Rear
出线方式	Right Side
外观颜色	black / silver
额定功率	250W ~ 350W
额定电压	24V/ 36V/ 48V
轮径尺寸	16 ~ 29 "
开档尺寸	135mm
减 速 比	1:4.37
效 率	> 80%
最大扭矩	> 50N.m
刹车方式	disc/V Brake
飞轮数量	6/7
磁钢数量	20 Poles
测速磁钢	1/2/3/6
霍尔方式	With / Without
辐条规格	12G / 13G
辐条孔数	36 Holes
噪音等级	< 50dB
适用气温	-20℃~45℃
电机重量	2.8 Kg
防水等级	IP54

Parameter Info.	
Mounting Position	Rear
Cable Routing	Right Side
Shell Color	black / silver
Rated Power (W)	250W ~ 350W
Rated Voltage (DCV)	24V/ 36V/ 48V
Wheel Size (Inch)	16 ~ 29 "
Fork Dropout (mm)	135mm
Speed Ratio	1:4.37
Efficiency (%)	> 80%
Max Torque (N.m)	> 50N.m
Brake Style	disc/V Brake
Freewheel	6/7
Magnet Rate	20 Poles
Speed Sensor	1/2/3/6
Hall Sensor	With / Without
Spokes Items	12G / 13G
Spokes Holes	36 Holes
Noise Level (dB)	< 50dB
Work Temperature	-20℃~45℃
Motor Weight	2.8 Kg
Waterproof Level	IP54

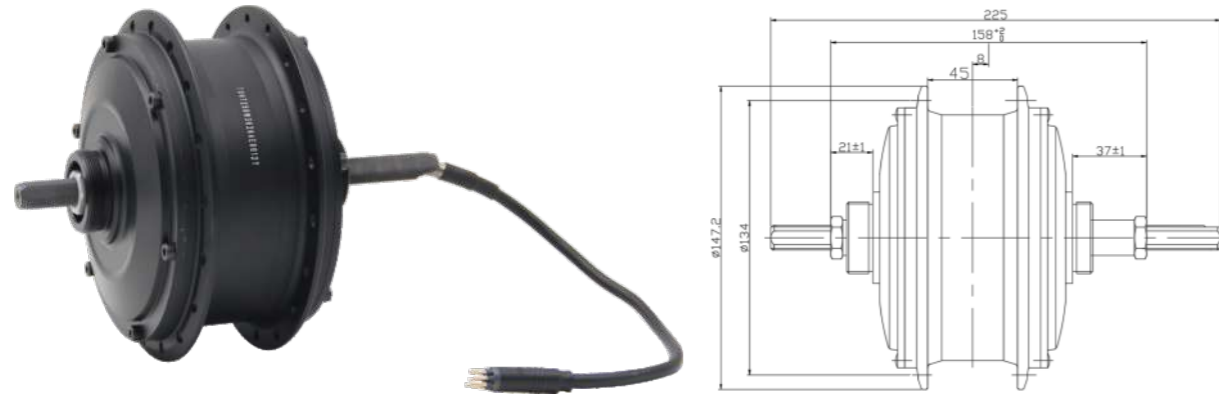
H7-140X



参数信息	
安装位置	Rear
出线方式	Right Side
外观颜色	black / silver
额定功率	250W ~ 350W
额定电压	24V/ 36V/ 48V
轮径尺寸	16 ~ 29 "
开档尺寸	140mm
减 速 比	1:4.37
效 率	> 80%
最大扭矩	> 50N.m
刹车方式	disc/V Brake
飞轮数量	6/7
磁钢数量	20 Poles
测速磁钢	1/2/3/6
霍尔方式	With / Without
辐条规格	12G / 13G
辐条孔数	36 Holes
噪音等级	< 50dB
适用气温	-20℃~45℃
电机重量	2.8 Kg
防水等级	IP54

Parameter Info.	
Mounting Position	Rear
Cable Routing	Right Side
Shell Color	black / silver
Rated Power (W)	250W ~ 350W
Rated Voltage (DCV)	24V/ 36V/ 48V
Wheel Size (Inch)	16 ~ 29 "
Fork Dropout (mm)	140mm
Speed Ratio	1:4.37
Efficiency (%)	> 80%
Max Torque (N.m)	> 50N.m
Brake Style	disc/V Brake
Freewheel	6/7
Magnet Rate	20 Poles
Speed Sensor	1/2/3/6
Hall Sensor	With / Without
Spokes Items	12G / 13G
Spokes Holes	36 Holes
Noise Level (dB)	< 50dB
Work Temperature	-20℃~45℃
Motor Weight	2.8 Kg
Waterproof Level	IP54

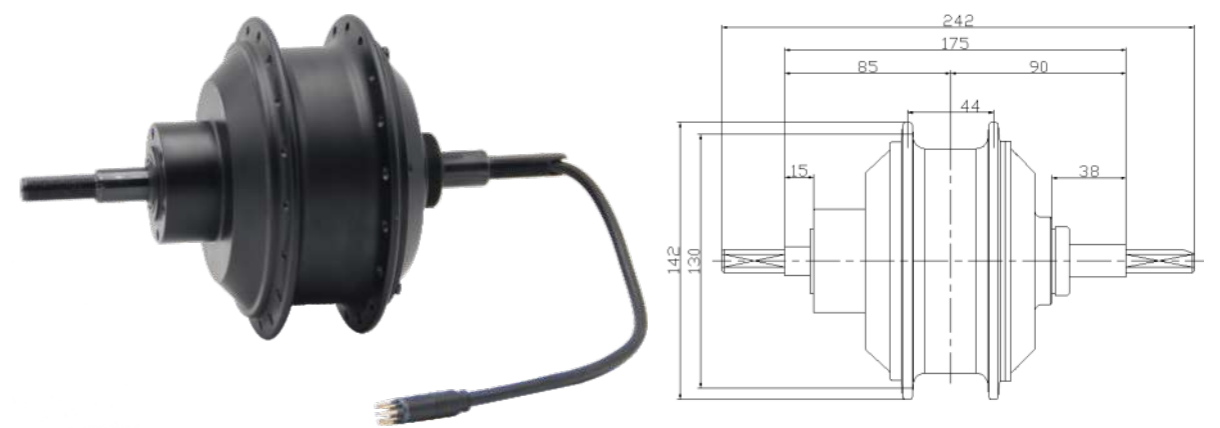
H7-158X



参数信息	
安装位置	Rear
出线方式	Right Side
外观颜色	black / silver
额定功率	250W~350W
额定电压	24V/ 36V/ 48V
轮径尺寸	16 ~29 "
开档尺寸	158mm
减 速 比	1:4.37
效 率	> 80%
最大扭矩	> 50N.m
刹车方式	disc/V Brake
飞轮数量	6/7
磁钢数量	20 Poles
测速磁钢	1/2/3/6
霍尔方式	With / Without
辐条规格	12G / 13G
辐条孔数	36 Holes
噪音等级	< 50dB
适用气温	-20℃~45℃
电机重量	2.8 Kg
防水等级	IP54

Parameter Info.	
Mounting Position	Rear
Cable Routing	Right Side
Shell Color	black / silver
Rated Power (W)	250W~350W
Rated Voltage (DCV)	24V/ 36V/ 48V
Wheel Size (Inch)	16 ~29 "
Fork Dropout (mm)	158mm
Speed Ratio	1:4.37
Efficiency (%)	> 80%
Max Torque (N.m)	> 50N.m
Brake Style	disc/V Brake
Freewheel	6/7
Magnet Rate	20 Poles
Speed Sensor	1/2/3/6
Hall Sensor	With / Without
Spokes Items	12G / 13G
Spokes Holes	36 Holes
Noise Level (dB)	< 50dB
Work Temperature	-20℃~45℃
Motor Weight	2.8 Kg
Waterproof Level	IP54

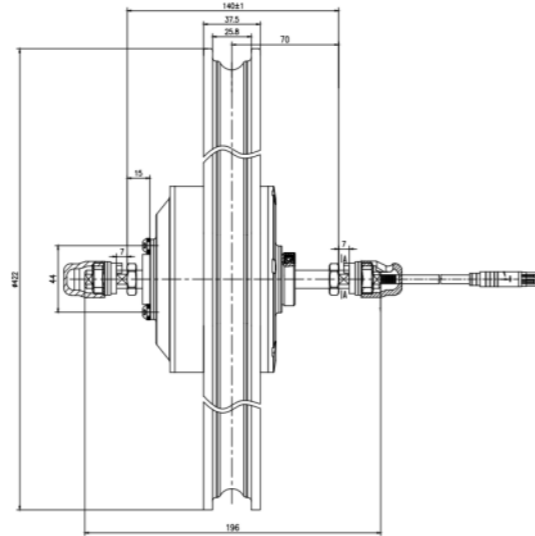
C7-175X/195X



参数信息	
安装位置	Rear
出线方式	Right Side
外观颜色	black / silver
额定功率	250W~350W
额定电压	24V/ 36V/ 48V
轮径尺寸	16 ~29 "
开档尺寸	175mm/195mm
减 速 比	1:4.37
效 率	> 80%
最大扭矩	> 50N.m
刹车方式	disc/V Brake
飞轮数量	6/7
磁钢数量	20 Poles
测速磁钢	1/2/3/6
霍尔方式	With / Without
辐条规格	12G / 13G
辐条孔数	36 Holes
噪音等级	< 50dB
适用气温	-20℃~45℃
电机重量	3.0 Kg
防水等级	IP54

Parameter Info.	
Mounting Position	Rear
Cable Routing	Right Side
Shell Color	black / silver
Rated Power (W)	250W~350W
Rated Voltage (DCV)	24V/ 36V/ 48V
Wheel Size (Inch)	16 ~29 "
Fork Dropout (mm)	175mm/195mm
Speed Ratio	1:4.37
Efficiency (%)	> 80%
Max Torque (N.m)	> 50N.m
Brake Style	disc/V Brake
Freewheel	6/7
Magnet Rate	20 Poles
Speed Sensor	1/2/3/6
Hall Sensor	With / Without
Spokes Items	12G / 13G
Spokes Holes	36 Holes
Noise Level (dB)	< 50dB
Work Temperature	-20℃~45℃
Motor Weight	3.0 Kg
Waterproof Level	IP54

C7-20' alloy rims



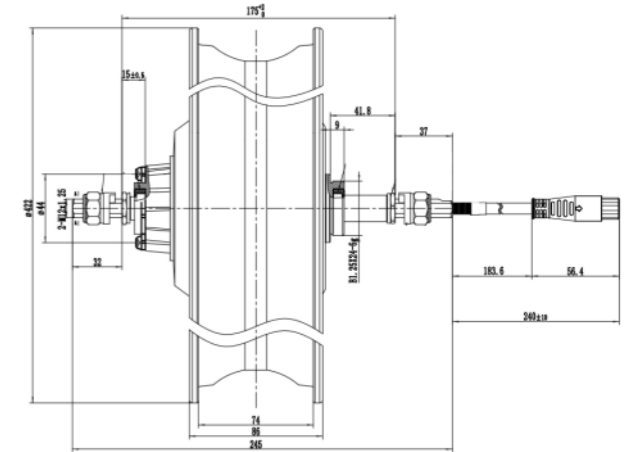
参数信息

安装位置	Rear
出线方式	Right Side
外观颜色	black / silver
额定功率	250W~350W
额定电压	24V/ 36V/ 48V
轮径尺寸	20"
开档尺寸	145mm
减速比	1:4.37
效率	> 80%
最大扭矩	> 50N.m
刹车方式	disc/V Brake
飞轮数量	6/7
磁钢数量	20 Poles
测速磁钢	1/2/3/6
霍尔方式	With / Without
辐条规格	12G / 13G
辐条孔数	/
噪音等级	< 50dB
适用气温	-20℃~45℃
电机重量	4.7 Kg
防水等级	IP54

Parameter Info.

Mounting Position	Rear
Cable Routing	Right Side
Shell Color	black / silver
Rated Power (W)	250W~350W
Rated Voltage (DCV)	24V/ 36V/ 48V
Wheel Size (Inch)	20"
Fork Dropout (mm)	145mm
Speed Ratio	1:4.37
Efficiency (%)	> 80%
Max Torque (N.m)	> 50N.m
Brake Style	disc/V Brake
Freewheel	6/7
Magnet Rate	20 Poles
Speed Sensor	1/2/3/6
Hall Sensor	With / Without
Spokes Items	12G / 13G
Spokes Holes	/
Noise Level (dB)	< 50dB
Work Temperature	-20℃~45℃
Motor Weight	4.7 Kg
Waterproof Level	IP54

S7-20' alloy rims



参数信息

安装位置	Rear
出线方式	Right Side
外观颜色	black / silver
额定功率	350W~750W
额定电压	36V/48V
轮径尺寸	20"
开档尺寸	175mm
减速比	1:5.18
效率	> 80%
最大扭矩	> 70N.m
刹车方式	disc Brake
飞轮数量	6/7
磁钢数量	20 Poles
测速磁钢	1/2/3/6
霍尔方式	With / Without
辐条规格	12G / 13G
辐条孔数	/
噪音等级	< 50dB
适用气温	-20℃~45℃
电机重量	6.8Kg
防水等级	IP54

Parameter Info.

Mounting Position	Rear
Cable Routing	Right Side
Shell Color	black / silver
Rated Power (W)	350W~750W
Rated Voltage (DCV)	36V/48V
Wheel Size (Inch)	20"
Fork Dropout (mm)	175mm
Speed Ratio	1:5.18
Efficiency (%)	> 80%
Max Torque (N.m)	> 70N.m
Brake Style	disc Brake
Freewheel	6/7
Magnet Rate	20 Poles
Speed Sensor	1/2/3/6
Hall Sensor	With / Without
Spokes Items	12G / 13G
Spokes Holes	/
Noise Level (dB)	< 50dB
Work Temperature	-20℃~45℃
Motor Weight	6.8Kg
Waterproof Level	IP54

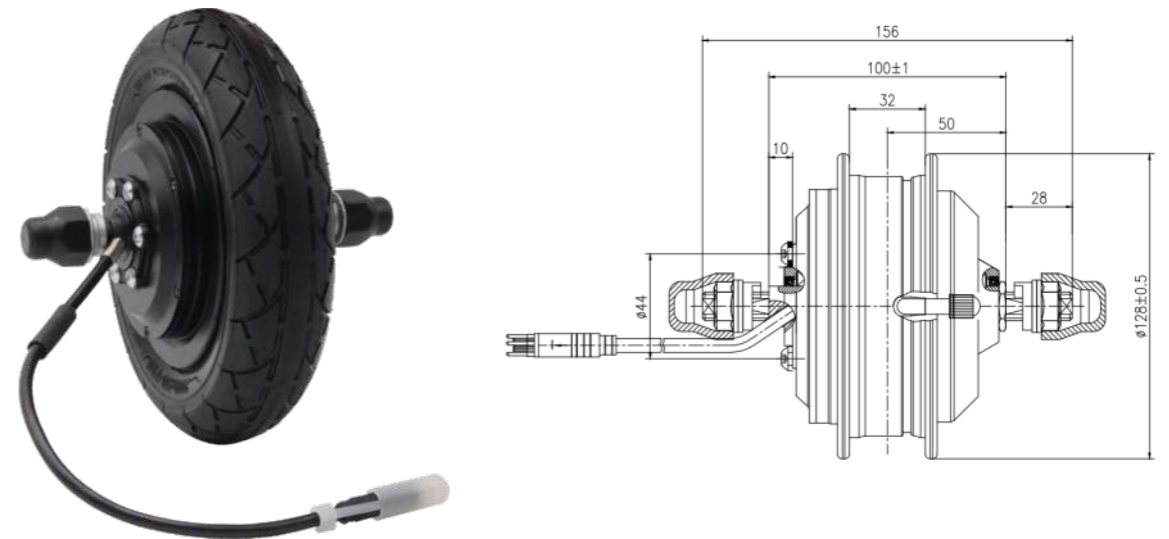
L7-135N



参数信息	
安装位置	Rear
出线方式	Left Side
外观颜色	black / silver
额定功率	250W~400W
额定电压	36V/48V
轮径尺寸	16 ~ 29 "
开档尺寸	135mm
减 速 比	1:1
效 率	> 80%
最大扭矩	> 50N.m
刹车方式	disc Brake
飞轮数量	3 inner shifts
磁钢数量	40 Poles
测速磁钢	1/6
霍尔方式	With
辐条规格	12G / 13G
辐条孔数	36 Holes
噪音等级	< 50dB
适用气温	-20℃~45℃
电机重量	4.5 Kg
防水等级	IP54

Parameter Info.	
Mounting Position	Rear
Cable Routing	Left Side
Shell Color	black / silver
Rated Power (W)	250W~400W
Rated Voltage (DCV)	36V/48V
Wheel Size (Inch)	16 ~ 29 "
Fork Dropout (mm)	135mm
Speed Ratio	1:1
Efficiency (%)	> 80%
Max Torque (N.m)	> 50N.m
Brake Style	disc Brake
Freewheel	3 inner shifts
Magnet Rate	40 Poles
Speed Sensor	1/6
Hall Sensor	With
Spokes Items	12G / 13G
Spokes Holes	36 Holes
Noise Level (dB)	< 50dB
Work Temperature	-20℃~45℃
Motor Weight	4.5 Kg
Waterproof Level	IP54

A7-100Q-8' 轮椅车电机



参数信息	
安装位置	Front
出线方式	Left Side
外观颜色	black / silver
额定功率	250W~300W
额定电压	24V/36V
轮径尺寸	8 "
开档尺寸	100mm
减 速 比	1:5.87
效 率	> 80%
最大扭矩	> 40N.m
刹车方式	disc Brake
飞轮数量	/
磁钢数量	16 Poles
测速磁钢	1/6
霍尔方式	With / Without
辐条规格	/
辐条孔数	/
噪音等级	< 50dB
适用气温	-20℃~45℃
电机重量	2.4 Kg
防水等级	IP54

Parameter Info.	
Mounting Position	Front
Cable Routing	Left Side
Shell Color	black / silver
Rated Power (W)	250W~300W
Rated Voltage (DCV)	24V/36V
Wheel Size (Inch)	8 "
Fork Dropout (mm)	100mm
Speed Ratio	1:5.87
Efficiency (%)	> 80%
Max Torque (N.m)	> 40N.m
Brake Style	disc Brake
Freewheel	/
Magnet Rate	16 Poles
Speed Sensor	1/6
Hall Sensor	With / Without
Spokes Items	/
Spokes Holes	/
Noise Level (dB)	< 50dB
Work Temperature	-20℃~45℃
Motor Weight	2.4 Kg
Waterproof Level	IP54

central motor 中置电机



参数信息

安装位置	central
外观颜色	black / silver
额定功率	250W~350W
额定电压	36V/48V
轮径尺寸	20 ~ 29"
效率	> 80%
最大扭矩	> 75N.m
传感类型	torque sensor
牙盘型号	38/44/52
磁钢数量	20 Poles
噪音等级	< 50dB
适用气温	-20℃~45℃
电机重量	4.2 Kg
防水等级	IP54

Parameter Info.

Mounting Position	central
Shell Color	black / silver
Rated Power (W)	250W~350W
Rated Voltage (DCV)	36V/48V
Wheel Size (Inch)	20 ~ 29"
Efficiency (%)	> 80%
Max Torque (N.m)	> 75N.m
Sensor Style	torque sensor
Teeth Species	38/44/52
Magnet Rate	20 Poles
Noise Level (dB)	< 50dB
Work Temperature	-20℃~45℃
Motor Weight	4.2 Kg
Waterproof Level	IP54

S2



C1



SPECIFICATIONS :

Core Data

Display screen material	3.5inch TFT
Adaptive Battery Voltage	24V/36V/48V/52V/60V/72V
Power assist mode	0-3/0-5/0-6/0-9
Shell material	ABS and PC
Window material	Acrylic
Communication protocols	UART/485/CAN
Handlebar sizes	ø22.2mm/ø25.4mm/ø31.8mm

Displayable Riding parameters

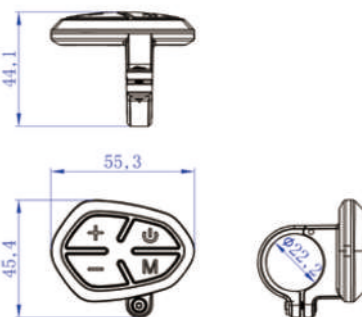
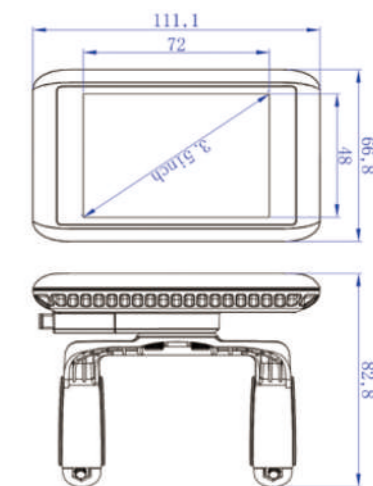
- Real_time Speed (km/h)
- Max Speed (km/h)
- Average Speed (km/h)
- Single riding time
- Single riding distance
- Total Distance
- Endurance mileage
- Battery information
- Error code and error issues description
- 6KM Walk Boost
- Clock

Advance setting

Wheel diameter size	Adjustable
Magnetic poles	Adjustable
PAS magnetic poles	Adjustable
Brightness level	Adjustable
Power-on password	Adjustable
Screen direction	Adjustable
KM/Mile	Adjustable
Speed limit	Adjustable
Current limit	Adjustable
Auto off	Adjustable
Start up strength setting (to be supported by controller)	Adjustable
Assist sensor direction	Adjustable
Manual_assist operation/Auto_assist operation	Adjustable

Tests& Certifications

IP- Code	IP65
Certifications	CE/EN15194 Rohs





SPECIFICATIONS :

Core Data

Display screen material	3.5inch TFT
Adaptive Battery Voltage	24V/36V/48V/52V/60V/72V
Power assist mode	0-3/0-5/0-6/0-9
Shell material	ABS
Window material	Acrylic
Communication protocols	UART/485/CAN
Handlebar sizes	ø22.2mm/ø25.4mm/ø31.8mm

Displayable Riding parameters

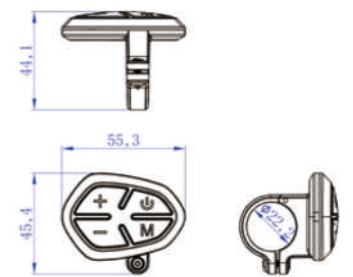
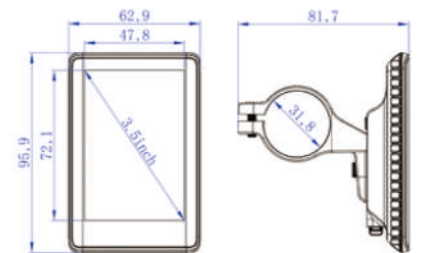
- Real_time Speed (km/h)
- Max Speed (km/h)
- Average Speed (km/h)
- Single riding time
- Single riding distance
- Total Distance
- Endurance mileage
- Battery information
- Error code and error issues description
- 6KM Walk Boost
- Clock

Advance setting

Wheel diameter size	Adjustable
Magnetic poles	Adjustable
PAS magnetic poles	Adjustable
Brightness level	Adjustable
Power-on password	Can be set
Screen direction	Vertical direction
KM/Mile	Adjustable
Speed limit	Adjustable
Current limit	Adjustable
Auto off	Adjustable
Start up strength setting (to be supported by controller)	Adjustable
Assist sensor direction	Adjustable
Manual_assist operation/Auto_assist operation	Adjustable

Tests& Certifications

IP- Code	IP65
Certifications	CE/EN15194 Rohs





SPECIFICATIONS :

Core Data

Display screen material	1.77inch TFT
Adaptive Battery Voltage	24V/36V/48V/52V/60V
Power assist mode	0-3/0-5/0-6/0-9
Shell material	PC
Window material	Acrylic
Communication protocols	UART
Handlebar sizes	ø22.2mm/ø25.4mm/ø31.8mm

Displayable Riding parameters

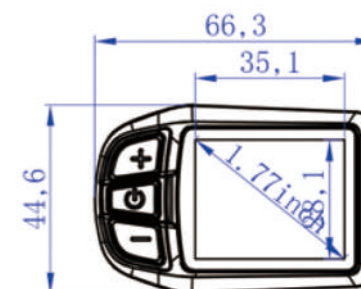
- Real_time Speed (km/h)
- Max Speed (km/h)
- Average Speed (km/h)
- Single riding time
- Single riding distance
- Total Distance
- Endurance mileage
- Battery information
- Error code and error issues description
- 6KM Walk Boost

Advance setting

Wheel diameter size	Adjustable
Magnetic poles	Adjustable
PAS magnetic poles	Adjustable
Brightness level	Adjustable
Power-on password	Can be set
Screen direction	Crosswise direction
KM/Mile	Adjustable
Speed limit	Adjustable
Current limit	Adjustable
Auto off	Adjustable
Start up strength setting (to be supported by controller)	Adjustable
Assist sensor direction	Adjustable
Manual_assist operation/Auto_assist operation	Adjustable

Tests& Certifications

IP- Code	IP65
Certifications	CE/EN15194 Rohs





SPECIFICATIONS :

Core Data

Display screen material	2.5inch VA LCD
Adaptive Battery Voltage	24V/36V/48V/52V/60V/72V
Power assist mode	0-3/0-5/0-6/0-9
Shell material	Aluminum
Window material	Tempered glass
Communication protocols	UART/485/CAN
Handlebar sizes	ø22.2mm/ø25.4mm/ø31.8mm

Displayable Riding parameters

- Real_time Speed (km/h)
- Max Speed (km/h)
- Average Speed (km/h)
- Single riding time
- Single riding distance
- Total Distance
- Endurance mileage
- Battery information
- Error code
- 6KM Walk Boost
- USB Charging port

Advance setting

Wheel diameter size	Adjustable
Magnetic poles	Adjustable
PAS magnetic poles	Adjustable
Brightness level	Adjustable
Power-on password	Can be set
Screen direction	Vertical direction
KM/Mile	Adjustable
Speed limit	Adjustable
Current limit	Adjustable
Auto off	Adjustable
Start up strength setting (to be supported by controller)	Adjustable
Assist sensor direction	Adjustable
Manual_assist gears/Auto_assist gears	Adjustable

Tests& Certifications

IP- Code	IP65
Certifications	CE/EN15194 Rohs

